



MARBOLOUS

DESIGN MARBLE RUNS



ICO 2
NIC 0
AWA 2
RDS 4

INTERIOR
PRODUCTS

winner

WE LOVE MARBLES



Everybody loves marbles.
That's why we re-invented the classic marble run as an interactive 360° object,
which brings you childlike fascination in a design that is all grown up.



DESIGN



CHILDLIKE FASCINATION

Our marble runs are exclusively crafted from stainless steel and are encased under a glass dome, protecting it from dust while presenting a stunning 360° view.

The base is manufactured from premium wood veneer and is framed with either natural cork or dark silicone, depending on the model. The front-lever ensures intuitive operation, bringing MARBOLOUS to life - an kinetic masterpiece that blends elegance with childlike wonder.



MARBOLOUS comes in two editions.

The **Classic Edition** is a fully mechanical homage of your beloved marble run. By a gentle push on the lifting lever the marbles start to roll.



The **ElectRoll Edition** is the identical twin but with an electrical twist. Equipped with a motion sensor and interval mode it let marbles run magically.

The **motion sensor** detects any movement within a range of approx. 4m and releases randomly one to eight marbles. In **interval mode** everyminute 5 marbles roll automatically down themetal track – perfect in useasminimalistic time keeper.

CLASSIC



BLACK



WHITE



BIRCH



WALNUT

ELECTROLL



MARBOLOUS CLASSIC & ELECTROLL

TECHNICAL DETAILS

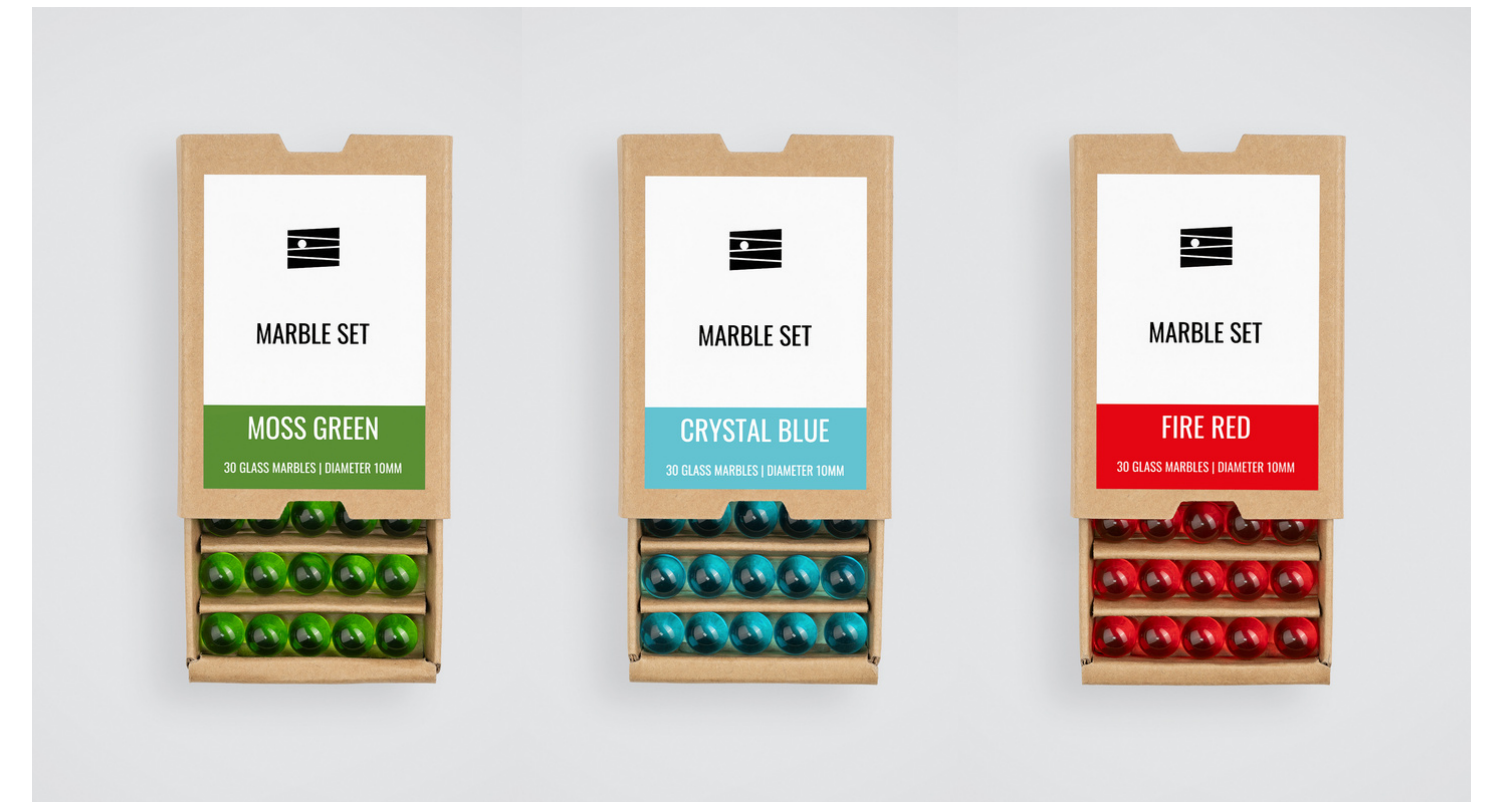
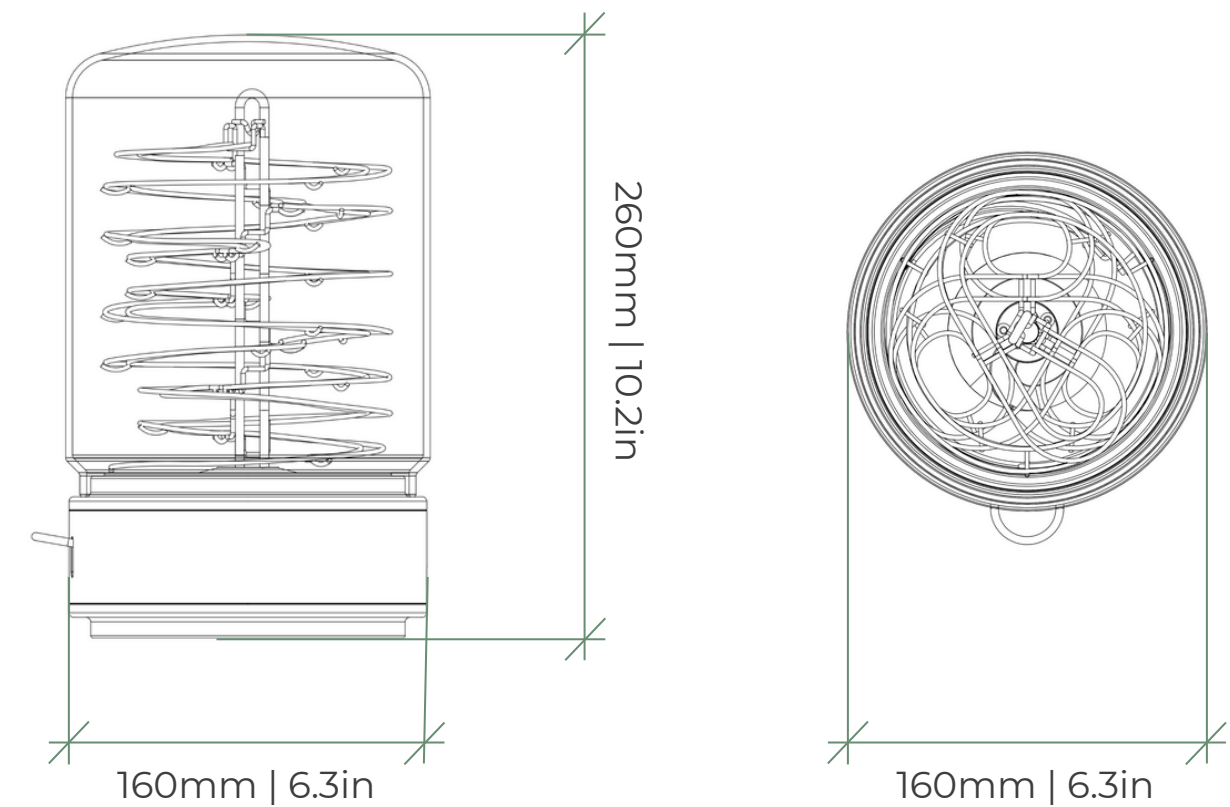
Diameter (mm in)	160mm 6.3 in
Height (mm in)	260mm 10.2 in
Weight (gr oz)	2000gr 70.6 oz (CLASSIC) 2200gr 77.6 oz (ELECTROLL)

PACKAGE CONTENT

- 30x Glass marbles
- Glass dome
- Handmade stainless steel track
- Socket with mechanical lifting system
- Instruction Manual
- USB-C Cord (only for ElectRoll Models)

EXTRAS

Colored marble sets (30pcs per unit)





MARBOLOUS

BIG M



CLASSIC
Ø160



BIG M BLACK
Ø400



BIG M WALNUT
Ø400

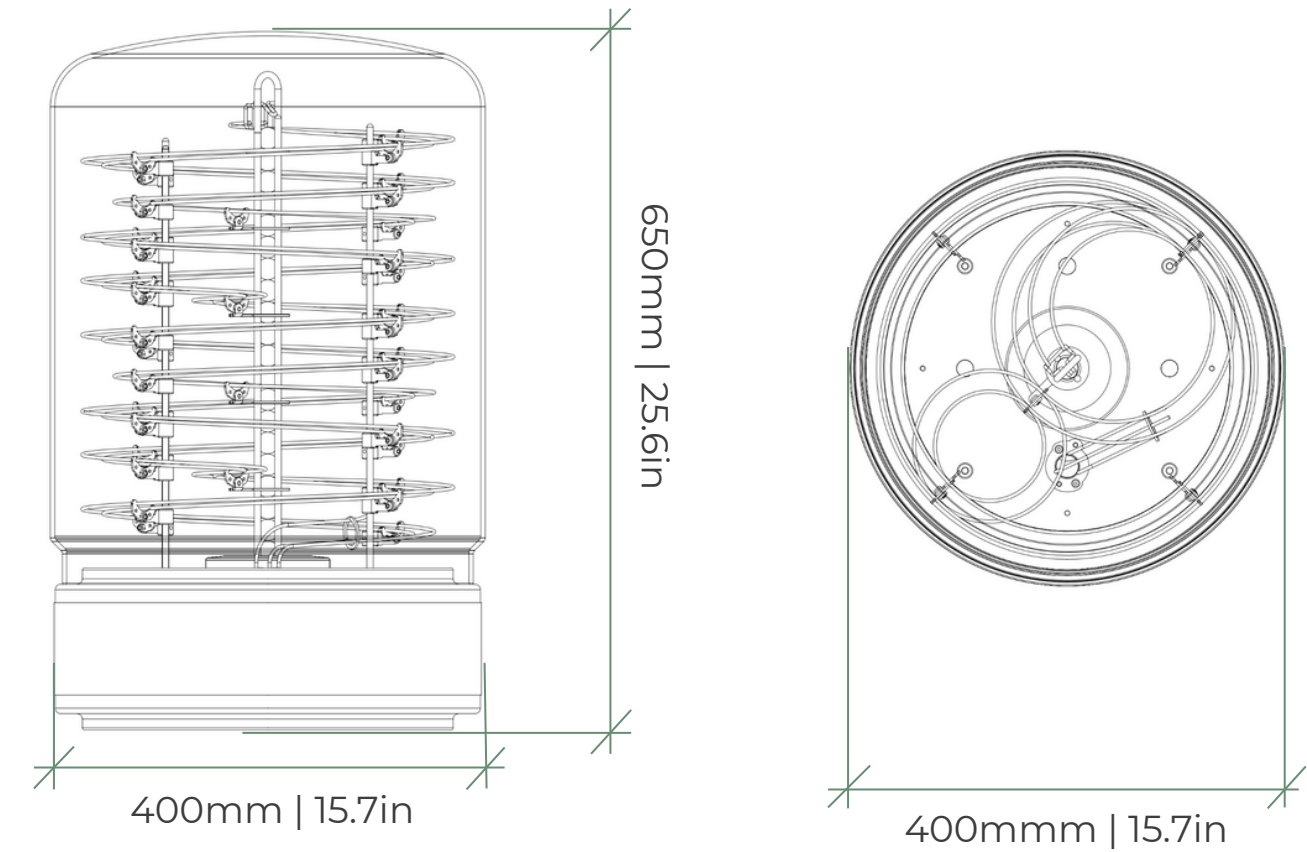
MARBOLOUS BIG M

TECHNICAL DETAILS

Diameter (mm in)	400mm 15.7in
Height (mm in)	650mm 25.6in
Weight (gr oz)	13000gr 459oz

PACKAGE CONTENT

- 60x Marbles
- 3x LED-Spots
- Glass dome
- Handmade stainless steel track
- Socket with lifting system
- Instruction Manual
- Power Cord



BIG M tracks are illuminated by three LED spotlights in the base

